

CMOS Liquid-Crystal Display Drivers

High-Voltage Types (20-Volt Rating)

- CD4054B – 4-Segment Display Driver
- CD4055B – BCD to 7-Segment Decoder/Driver with "Display-Frequency" Output
- CD4056B – BCD to 7-Segment Decoder/Driver with Strobed-Latch Function

■ CD4055B and CD4056B types are single-digit BCD-to-7-segment decoder/driver circuits that provide level-shifting functions on the chip. This feature permits the BCD input-signal swings (V_{DD} to V_{SS}) to be the same as or different from the 7-segment output-signal swings (V_{DD} to V_{EE}). For example, the BCD input-signal swings (V_{DD} to V_{SS}) may be as small as 0 to -3 V, whereas the output-display drive-signal swing (V_{DD} to V_{EE}) may be as large as from 0 to -15 V. If V_{DD} to V_{EE} exceeds 15 V, V_{DD} to V_{SS} should be at least 4V (0 to -4 V).

The 7-segment outputs are controlled by the DISPLAY-FREQUENCY (DF) input which causes the selected segment outputs to be low, high, or a square-wave output (for liquid-crystal displays). When the DF input is low the output segments will be high when selected by the BCD inputs. When the DF input is high, the output segments will be low when selected by the BCD inputs. When a square-wave is present at the DF input, the selected segments will have a square-wave output that is 180° out of phase with the DF input. Those segments which are not selected will have a square-wave output that is in phase with the input. DF square-wave repetition rates for liquid-crystal displays usually range from 30 Hz (well above flicker rate) to 200 Hz (well below the upper limit of the liquid-crystal frequency response). The CD4055B provides a level-shifted high-amplitude DF output which is required for driving the common electrode in liquid-crystal displays. The CD4056B provides a strobed-latch function at the BCD inputs. Decoding of all input combinations on the CD4055B and CD4056B provides displays of 0 to 9 as well as L, P, H, A, -, and a blank position.

The CD4054B provides level shifting similar to the CD4055B and CD4056B independently strobed latches, and common DF control on 4 signal lines. The CD4054B is intended to provide drive-signal compatibility with the CD4055B and CD4056B 7-segment decoder types for the decimal point, colon, polarity, and similar display lines. A level-shifted high-amplitude DF output can be obtained from any CD4054B output line by connect-

Features:

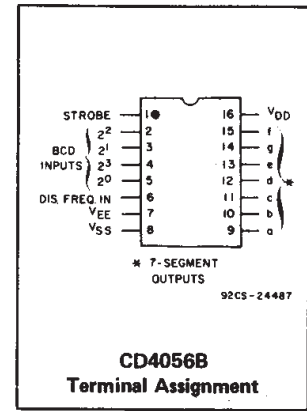
- Operation of liquid crystals with CMOS circuits provides ultra-low-power displays
- Equivalent ac output drive for liquid-crystal displays – no external capacitor required
- Voltage doubling across display, e.g. $V_{DD} - V_{EE} = 18$ V results in effective 36 V p-p drive across selected display segments
- Low- or high-output level dc drive for other types of displays
- On-chip logic-level conversion for different input- and output-level swings
- Full decoding of all input combinations: 0-9, L, H, P, A, -, and blank positions
- Strobed-latch function—CD4054B Series and CD4056B Series
- DISPLAY-FREQUENCY (DF) output for liquid-crystal common-line drive signal—CD4055B Series (CD4054B Series also: see introductory text)
- 100% tested for quiescent current at 20 V
- Maximum input current of 1 μ A at 18 V over full package temperature range; 100 nA at 18 V and 25°C
- Noise margin (over full package temperature range):
 - 1 V at $V_{DD} = 5$ V
 - 2 V at $V_{DD} = 10$ V
 - 2.5 V at $V_{DD} = 15$ V
- 5-V, 10-V, and 15-V parametric ratings

Applications

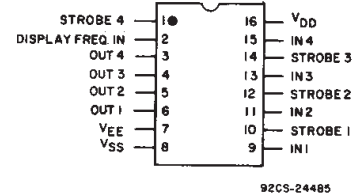
- General-purpose displays
- Calculators and meters
- Wall and table clocks
- Industrial control panels
- Portable lab instruments
- Panel meters
- Auto dashboard displays
- Appliance control panels

ing the corresponding input and strobe lines to a low and high level, respectively and applying a square wave to DF IN. The CD4054B may also be utilized for logic-level "up conversion" or "down conversion". For example, input-signal swings (V_{DD} to V_{SS}) from +5 to 0 V can be converted to output-signal swings (V_{DD} to V_{EE}) of +5 to -5 V. The level-shifting function on all three types permits the use of different input- and output-signal swings. The input swings from a low level of V_{SS} to a high level of V_{DD} while the output swings from a low level of V_{EE} to the same high level of V_{DD} . Thus, the input and output swings can be selected independently of each other over a 3-to-18 V range. V_{SS} may be connected to V_{EE} when no level-shift function is required.

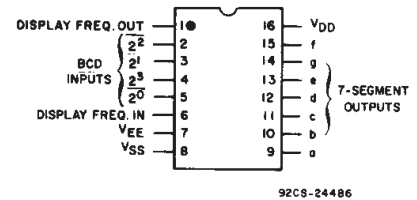
For the CD4054B and CD4056B, data are



CD4056B Terminal Assignment



CD4054B Terminal Assignment



CD4055B Terminal Assignment

transferred from input to output by placing a high voltage level at the strobe input. A low voltage level at the strobe input latches the data input and the corresponding output segments remain selected (or non-selected) while the strobe is low.

Whenever the level-shifting function is required, the CD4055B can be used by itself to drive a liquid-crystal display (Fig.16 and Fig.20). The CD4056B, however, must be used together with a CD4054B to provide the common DF output (Fig.19). The capability of extending the voltage swing on the negative end (this voltage cannot be extended on the positive end) can be used to advantage in the setup of Fig.18. Fig.17 is common to all three types.

The CD4054B-, CD4055B-, and CD4056B-series types are available in 16-lead ceramic dual-in-line packages (D and F suffixes), 16-lead plastic packages (E suffix), and in chip form (H suffix).

3
COMMERCIAL CMOS HIGH VOLTAGE ICs

CD4054B, CD4055B, CD4056B Types

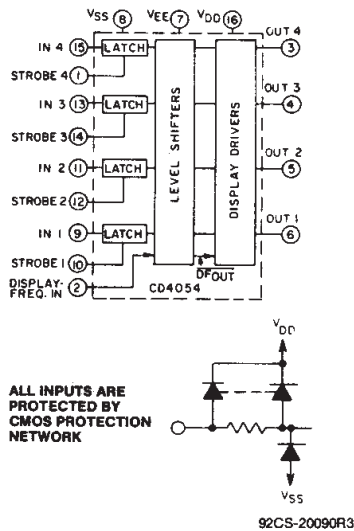


Fig.1 - CD4054B functional diagram.

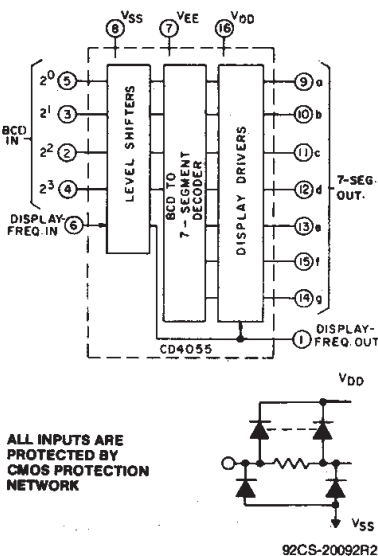


Fig.2 - CD4055B functional diagram.

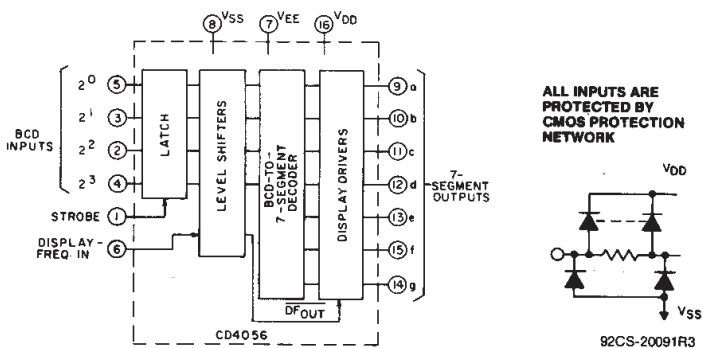


Fig.3 - CD4056B functional diagram.

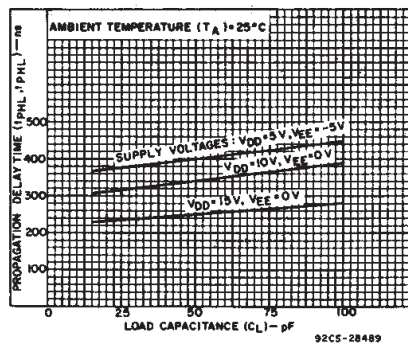


Fig.4 - Typical propagation delay time vs. load capacitance for CD4054B.

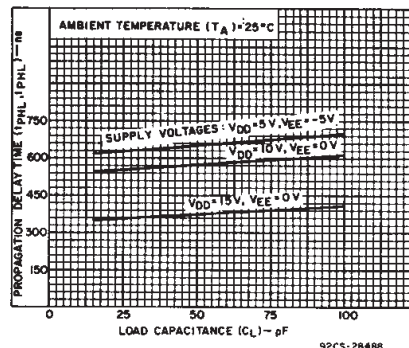


Fig.5 - Typical propagation delay time vs. load capacitance for CD4055 and CD4056B.

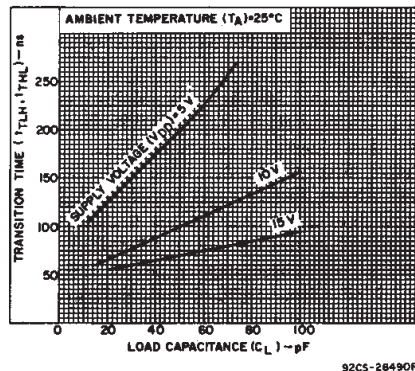


Fig.6 - Typical transition time vs. load capacitance.

CD4054B TRUTH TABLE

| DF | IN | ST | OUT |
|----|----|----|-----|
| 0 | 0 | 1 | 0 |
| 1 | 0 | 1 | 1 |
| 0 | 1 | 1 | 1 |
| 1 | 1 | 1 | 0 |
| X | X | 0 | * |

X = Don't Care.

*Depends upon the input mode previously applied when ST = 1.

TRUTH TABLE FOR CD4055B and CD4056B

| INPUT CODE | | | | OUTPUT STATE | | | | | | | DISPLAY CHARACTER |
|----------------|----------------|----------------|----------------|--------------|---|---|---|---|---|---|-------------------|
| 2 ³ | 2 ² | 2 ¹ | 2 ⁰ | a | b | c | d | e | f | g | |
| 0 | 0 | 0 | 0 | 1 | 1 | 1 | 1 | 1 | 1 | 0 | □ |
| 0 | 0 | 0 | 1 | 0 | 1 | 1 | 0 | 0 | 0 | 0 | □ |
| 0 | 0 | 1 | 0 | 1 | 1 | 0 | 1 | 1 | 0 | 1 | □ |
| 0 | 0 | 1 | 1 | 1 | 1 | 1 | 1 | 0 | 0 | 1 | □ |
| 0 | 1 | 0 | 0 | 0 | 1 | 1 | 0 | 0 | 1 | 1 | □ |
| 0 | 1 | 0 | 1 | 1 | 0 | 1 | 1 | 0 | 1 | 1 | □ |
| 0 | 1 | 1 | 0 | 1 | 0 | 1 | 1 | 1 | 1 | 1 | □ |
| 0 | 1 | 1 | 1 | 1 | 1 | 1 | 0 | 0 | 0 | 0 | □ |
| 1 | 0 | 0 | 0 | 1 | 1 | 1 | 1 | 1 | 1 | 1 | □ |
| 1 | 0 | 0 | 1 | 1 | 1 | 1 | 1 | 0 | 1 | 1 | □ |
| 1 | 0 | 1 | 0 | 0 | 0 | 0 | 1 | 1 | 1 | 0 | □ |
| 1 | 0 | 1 | 1 | 0 | 1 | 1 | 0 | 1 | 1 | 1 | □ |
| 1 | 1 | 0 | 0 | 1 | 1 | 0 | 0 | 1 | 1 | 1 | □ |
| 1 | 1 | 0 | 1 | 1 | 1 | 1 | 0 | 1 | 1 | 1 | □ |
| 1 | 1 | 1 | 0 | 0 | 0 | 0 | 0 | 0 | 0 | 1 | — |
| 1 | 1 | 1 | 1 | 0 | 0 | 0 | 0 | 0 | 0 | 0 | BLANK |

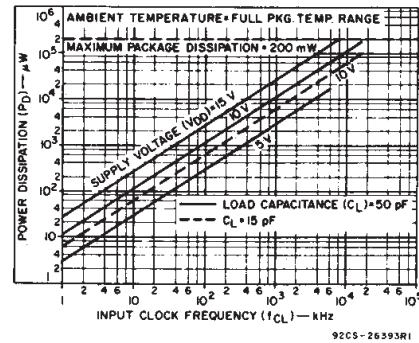


Fig.7 - Typical input clock frequency vs. power dissipation.

CD4054B, CD4055B, CD4056B Types

MAXIMUM RATINGS, Absolute-Maximum Values:

DC SUPPLY-VOLTAGE RANGE, (V_{DD})

Voltages referenced to V_{SS} Terminal) -0.5V to +20V

INPUT VOLTAGE RANGE, ALL INPUTS -0.5V to V_{DD} +0.5V

DC INPUT CURRENT, ANY ONE INPUT ±10mA

POWER DISSIPATION PER PACKAGE (P_D):

For T_A = -55°C to +100°C 500mW

For T_A = +100°C to +125°C Derate Linearly at 12mW/°C to 200mW

DEVICE DISSIPATION PER OUTPUT TRANSISTOR

FOR T_A = FULL PACKAGE-TEMPERATURE RANGE (All Package Types) 100mW

OPERATING-TEMPERATURE RANGE (T_A) -55°C to +125°C

STORAGE TEMPERATURE RANGE (T_{stg}) -65°C to +150°C

LEAD TEMPERATURE (DURING SOLDERING):

At distance 1/16 ± 1/32 inch (1.59 ± 0.79mm) from case for 10s max +265°C

STATIC ELECTRICAL CHARACTERISTICS

| Characteristic | CONDITIONS | | | | | LIMITS AT INDICATED TEMPERATURES (°C) | | | | | | | Units |
|--|------------------------|------------------------|-----------------------|------------------------|------------------------|---------------------------------------|-------|-------|-------|-------|-------------------|------|-------|
| | V _{EE} (V) | V _{SS} (V) | V _O (V) | V _{IN} (V) | V _{DD} (V) | -55° | -40° | +85° | +125° | +25°C | | | |
| | | | | | | | | | | Min. | Typ. | Max. | |
| Quiescent Device Current, I _{DD} MAX. | -5 | 0 | | | 5 | 5 | 150 | 150 | - | 0.04 | 5 | μA | |
| | 0 | 0 | | | 10 | 10 | 300 | 300 | - | 0.04 | 10 | | |
| | 0 | 0 | | | 15 | 20 | 600 | 600 | - | 0.04 | 20 | | |
| | 0 | 0 | | | 20 | 100 | 3000 | 3000 | - | 0.08 | 100 | | |
| Output Voltage: Low Level, V _{OL} MAX. | 0 | 0 | | 0.5 | 5 | | 0.05 | | - | 0 | 0.05 | V | |
| | 0 | 0 | | 0.10 | 10 | | 0.05 | | - | 0 | 0.05 | | |
| | 0 | 0 | | 0.15 | 15 | | 0.05 | | - | 0 | 0.05 | | |
| | 0 | 0 | | 0.5 | 5 | | 4.95 | 4.95 | 5 | - | - | | |
| High Level, V _{OH} MIN. | 0 | 0 | | 0.10 | 10 | | 9.95 | 9.95 | 10 | - | - | V | |
| | 0 | 0 | | 0.15 | 15 | | 14.95 | 14.95 | 15 | - | - | | |
| Input Low Voltage, V _{IL} MAX. | 0 | 0 | 0.5, | | 5 | | 1.5 | | - | - | 1.5 | V | |
| | 0 | 0 | 1.9 | | 10 | | 3 | | - | - | 3 | | |
| | 0 | 0 | 1.5, 13.5 | | 15 | | 4 | | - | - | 4 | | |
| Input High Voltage, V _{IH} MIN. | -5 | 0 | 0.5, 4.5 | | 5 | | 3.5 | | 3.5 | - | - | V | |
| | 0 | 0 | 1.9 | | 10 | | 7 | | 7 | - | - | | |
| | 0 | 0 | 1.5, 13.5 | | 15 | | 11 | | 11 | - | - | | |
| Output Low (Sink) Current, I _{OL} | -5 | 0 | -4.5 | | 5 | 0.98 | 0.92 | 0.67 | 0.55 | 0.8 | 1.6 | mA | |
| | 0 | 0 | 0.5 | | 10 | 0.98 | 0.92 | 0.67 | 0.55 | 0.8 | 1.6 | | |
| | 0 | 0 | 1.5 | | 15 | 3.6 | 3.4 | 2.4 | 2 | 2.9 | 5.8 | | |
| Output High (Source) Current, I _{OH} | -5 | 0 | 4.5 | | 5 | -0.6 | -0.55 | -0.35 | -0.3 | -0.45 | -0.9 | mA | |
| | 0 | 0 | 9.5 | | 10 | -0.6 | -0.55 | -0.35 | -0.3 | -0.45 | -0.9 | | |
| | 0 | 0 | 13.5 | | 15 | -1.9 | -1.8 | -1.2 | -1.1 | -1.5 | -3 | | |
| Input Current, I _{IN} | 0 | 0 | - | 0.18 | 18 | ±0.1 | ±0.1 | ±1 | ±1 | - | ±10 ⁻⁵ | ±0.1 | μA |

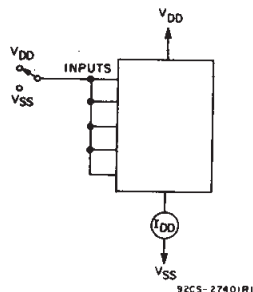


Fig. 11 - Quiescent-device-current test circuit.

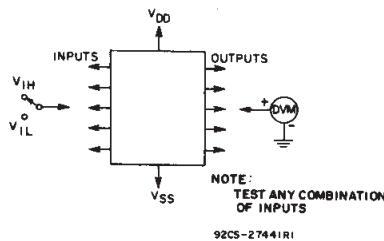


Fig. 12 - Input-voltage test circuit.

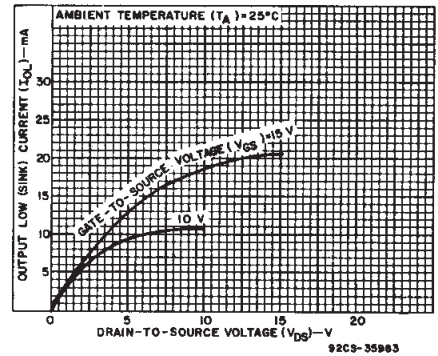


Fig. 8 - Typical n-channel output low (sink) current characteristics.

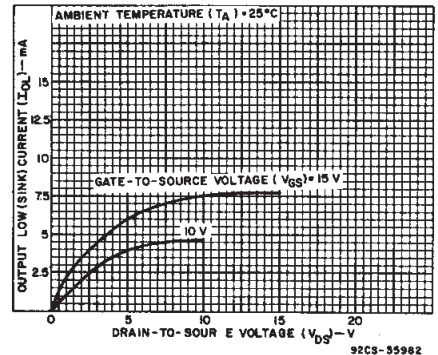


Fig. 9 - Minimum n-channel output low (sink) current characteristics.

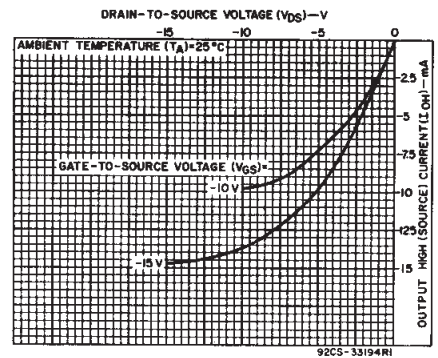


Fig. 10 - Typical p-channel output high (source) current characteristics.

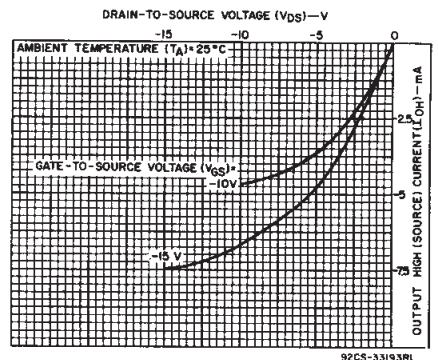


Fig. 13 - Minimum p-channel output high (source) current characteristics.

3
COMMERCIAL CMOS
HIGH VOLTAGE ICs

CD4054B, CD4055B, CD4056B Types

DYNAMIC ELECTRICAL CHARACTERISTICS at $T_A = 25^\circ\text{C}$, $C_L = 50\text{ pF}$, Input $t_r, t_f = 20\text{ ns}$, $R_L = 200\text{ k}\Omega$

| CHARACTERISTIC | CONDITIONS | | | LIMITS | | | | UNITS |
|---|------------|---------|---------|-------------------|------|----------------|------|-------|
| | VEE (V) | VSS (V) | VDD (V) | ALL PACKAGE TYPES | | | | |
| | | | | CD4054 | | CD4055, CD4056 | | |
| Typ. | Max. | Typ. | Max. | Typ. | Max. | | | |
| Propagation Delay Time, t_{PHL}, t_{PLH} (Any Input to Any Output) | -5 | 0 | 5 | 400 | 800 | 650 | 1300 | ns |
| | 0 | 0 | 10 | 340 | 680 | 575 | 1150 | |
| | 0 | 0 | 15 | 250 | 500 | 375 | 750 | |
| Transition Time, t_{THL}, t_{TLH} (Any Output) | -5 | 0 | 5 | 100 | 200 | 100 | 200 | ns |
| | 0 | 0 | 10 | 100 | 200 | 100 | 200 | |
| | 0 | 0 | 15 | 75 | 150 | 75 | 150 | |
| Minimum Data Setup Time, t_s^* | -5 | 0 | 5 | 110 | 220 | 110 | 220 | ns |
| | 0 | 0 | 10 | 50 | 100 | 50 | 100 | |
| | | | 15 | 35 | 70 | 35 | 70 | |
| Minimum Strobe Pulse Width, t_W^* | -5 | 0 | 5 | 110 | 220 | 110 | 220 | ns |
| | 0 | 0 | 10 | 50 | 100 | 50 | 100 | |
| | 0 | 0 | 15 | 35 | 70 | 35 | 70 | |
| Input Capacitance, C_{iN} (Any Input) | - | - | - | 5 | 7.5 | 5 | 7.5 | pF |

* CD4054 and CD4056 only.

RECOMMENDED OPERATING CONDITIONS at $T_A = 25^\circ\text{C}$ (Unless otherwise specified)

For maximum reliability, nominal operating conditions should be selected so that operation is always within the following ranges.

| CHARACTERISTIC | VEE (V) | VSS (V) | VDD (V) | LIMITS | | UNITS |
|--|---------|---------|---------|--------|------|-------|
| | | | | Min. | Max. | |
| Supply Voltage Range: (At T_A = Full Package Temperature Range) | | | | 3 | 18 | V |
| Setup Time (t_s) [•] | -5 | 0 | 5 | 220 | - | ns |
| | 0 | 0 | 10 | 100 | - | |
| | 0 | 0 | 15 | 70 | - | |
| Strobe Pulse Width (t_W) [•] | -5 | 0 | 5 | 220 | - | ns |
| | 0 | 0 | 10 | 100 | - | |
| | 0 | 0 | 15 | 70 | - | |

• For CD4054 and CD4056 only.

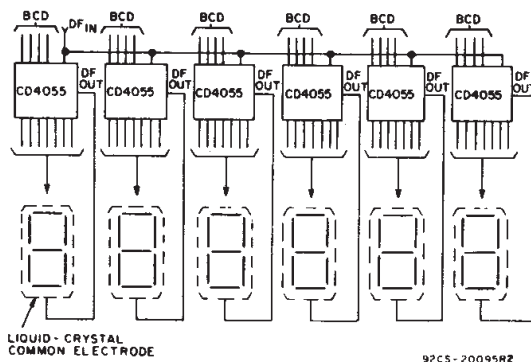


Fig. 16 - Clock display: $V_{DD} = 0\text{ V}$, $V_{SS} = -5\text{ V}$, $V_{EE} = -15\text{ V}$, $DF_{IN} = 30\text{ Hz}$ square wave.

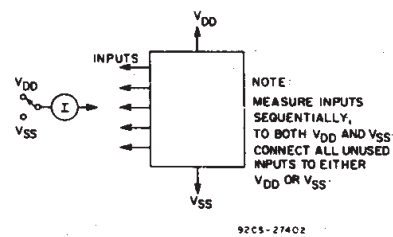


Fig. 14 - Input-current test circuit.

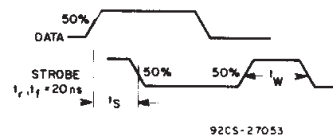


Fig. 15 - Data setup time and strobe pulse duration.

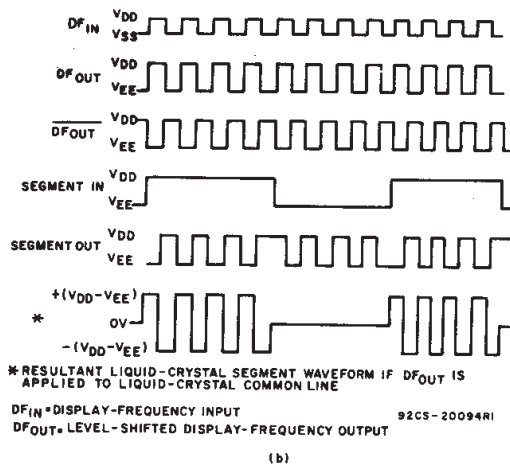
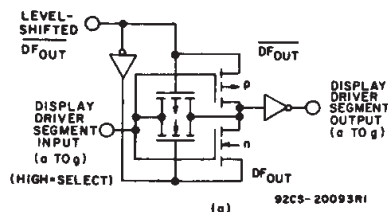


Fig. 17 - Display-driver circuit for one segment line and waveforms.

CD4054B, CD4055B, CD4056B Types

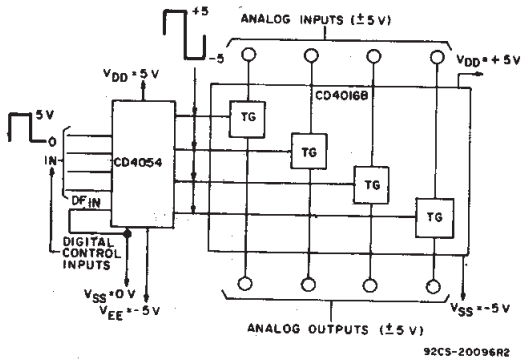


Fig. 18 - Digital (0 to +5 V) to bidirectional analog control (+5 to -5 V) level shifter.

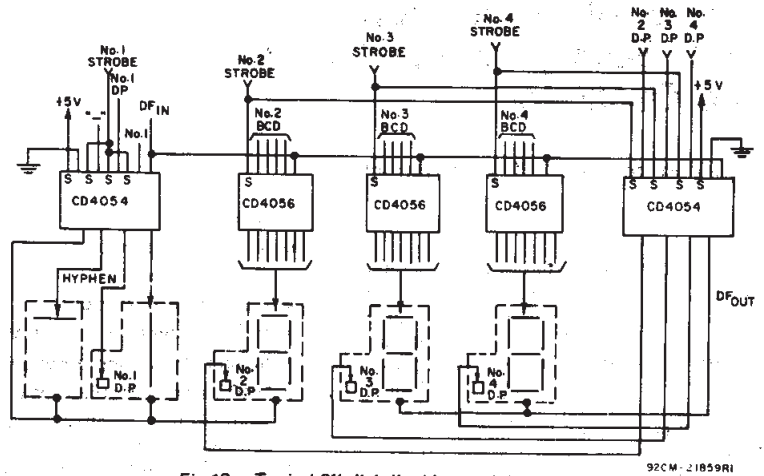


Fig. 19 - Typical 3 1/2-digit liquid-crystal display: VDD = +5 V, VSS = 0 V, VEE = -10 V, DF_{IN} = 30 Hz square wave.

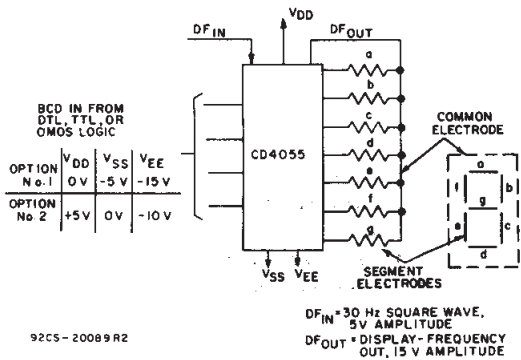


Fig. 20 - Single-digit liquid-crystal display.

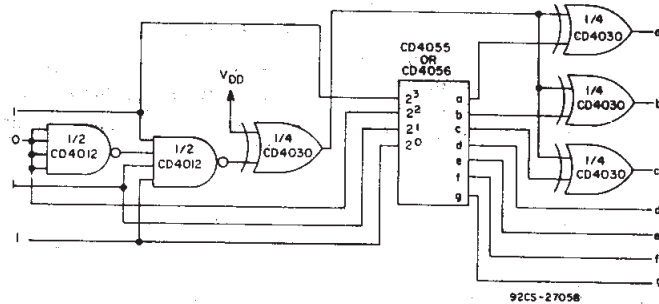


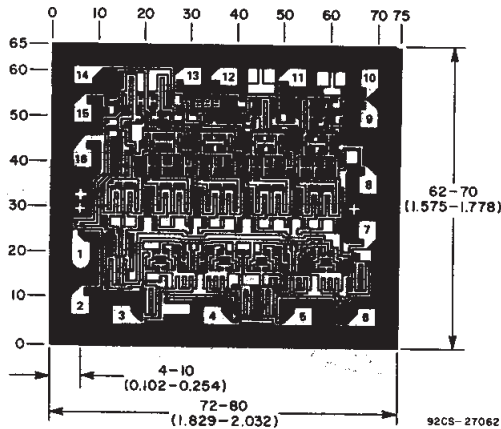
Fig. 21 - Conversion of "H" display to "F" display.

In addition to the letters L, H, P, and A (See the truth table), five other letters can be displayed through the use of simple logic circuits preceding and following the CD4055B or CD4056B devices. Fig. 21 is an example of a circuit that converts an "H" display (code 1011) to an "F" display. One condition that must be met is that V_{EE}=V_{SS}. If V_{EE}≠V_{SS}, the CD4054B must be used to level shift in the appropriate places.

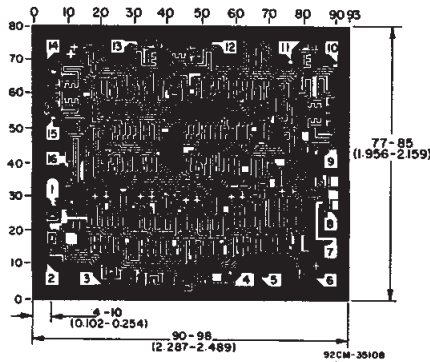
In a similar manner the letters C, E, J, and U can be displayed. These circuits can also be used to drive LED displays provided the exclusive-OR gates have sufficient output-current drive.

The letters B, D, G, I, O, and S may be represented by the codes for numbers 8, 0, 6, 1, 0, and 5, respectively, when there is pre-knowledge that only letters are to be displayed.

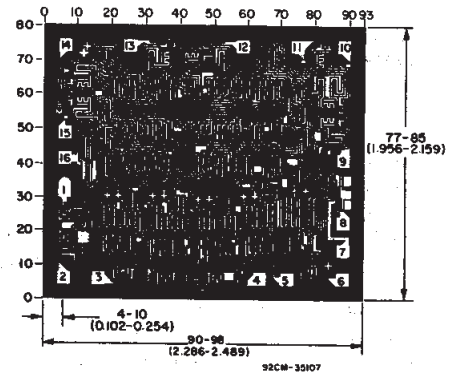
Dimensions in parentheses are in millimeters and are derived from the basic inch dimensions as indicated. Grid graduations are in mils (10⁻³ inch).



Dimensions and pad layout for CD4054BH.



Dimensions and pad layout for CD4055BH



Dimensions and pad layout for CD4056BH

3
COMMERCIAL CMOS
HIGH VOLTAGE ICs

IMPORTANT NOTICE

Texas Instruments and its subsidiaries (TI) reserve the right to make changes to their products or to discontinue any product or service without notice, and advise customers to obtain the latest version of relevant information to verify, before placing orders, that information being relied on is current and complete. All products are sold subject to the terms and conditions of sale supplied at the time of order acknowledgement, including those pertaining to warranty, patent infringement, and limitation of liability.

TI warrants performance of its semiconductor products to the specifications applicable at the time of sale in accordance with TI's standard warranty. Testing and other quality control techniques are utilized to the extent TI deems necessary to support this warranty. Specific testing of all parameters of each device is not necessarily performed, except those mandated by government requirements.

CERTAIN APPLICATIONS USING SEMICONDUCTOR PRODUCTS MAY INVOLVE POTENTIAL RISKS OF DEATH, PERSONAL INJURY, OR SEVERE PROPERTY OR ENVIRONMENTAL DAMAGE ("CRITICAL APPLICATIONS"). TI SEMICONDUCTOR PRODUCTS ARE NOT DESIGNED, AUTHORIZED, OR WARRANTED TO BE SUITABLE FOR USE IN LIFE-SUPPORT DEVICES OR SYSTEMS OR OTHER CRITICAL APPLICATIONS. INCLUSION OF TI PRODUCTS IN SUCH APPLICATIONS IS UNDERSTOOD TO BE FULLY AT THE CUSTOMER'S RISK.

In order to minimize risks associated with the customer's applications, adequate design and operating safeguards must be provided by the customer to minimize inherent or procedural hazards.

TI assumes no liability for applications assistance or customer product design. TI does not warrant or represent that any license, either express or implied, is granted under any patent right, copyright, mask work right, or other intellectual property right of TI covering or relating to any combination, machine, or process in which such semiconductor products or services might be or are used. TI's publication of information regarding any third party's products or services does not constitute TI's approval, warranty or endorsement thereof.

Copyright © 1999, Texas Instruments Incorporated