

---

## ANALOG MULTIPLE KEY DECODING USING THE ST6-REALIZER

---

by Olivier Rouy

### INTRODUCTION

The ST6 On-chip Analog to Digital Converter (ADC) is a useful peripheral integrated into the silicon of the ST6 family members. One of its practical applications is to decode a number of keys through only one I/O port pin. The technique is to connect the keys by a resistive voltage divider to the converter input. This principle is particularly interesting since it requires only one I/O pin whereas a traditional matrix keyboard requires a high number of I/O pins.

A practical application has been developed with the ST6-REALIZER environment and is illustrated in this note.

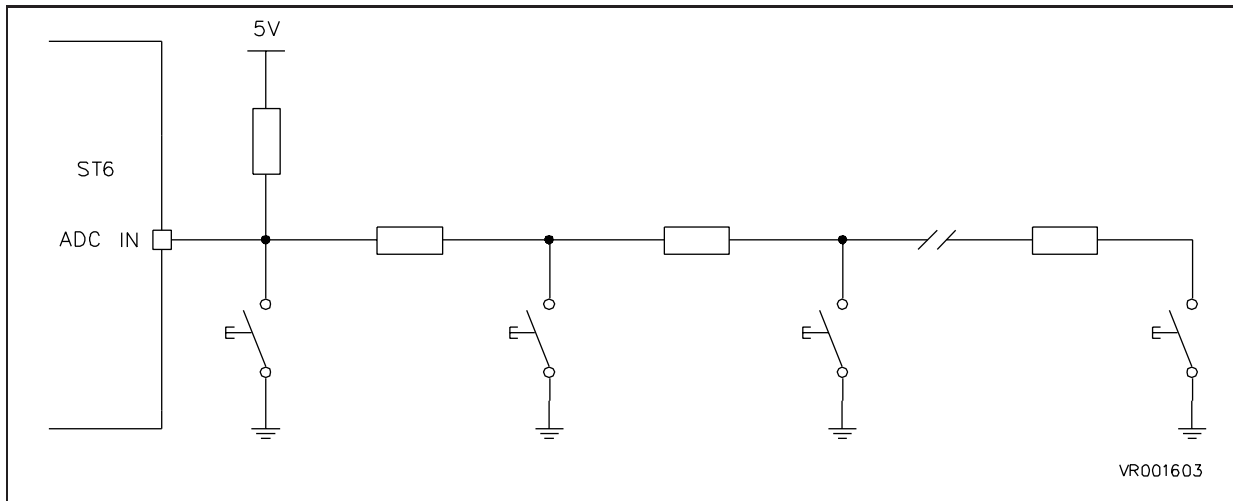
Hardware considerations for the keyboard design are reviewed while the software generation by the ST6-REALIZER is described.

# ANALOG MULTIPLE KEY DECODING USING THE ST6-REALIZER

## 1 PRINCIPLE OF OPERATION

The basic circuit of the decoder consists of a pull-up resistor connected to the ADC input, with the first key directly switching to ground. The following keys are then connected in sequence to the ADC input through serial resistors. The combination of the pull-up resistor, the serial resistors and the pressed key form a resistive voltage divider (Figure 1).

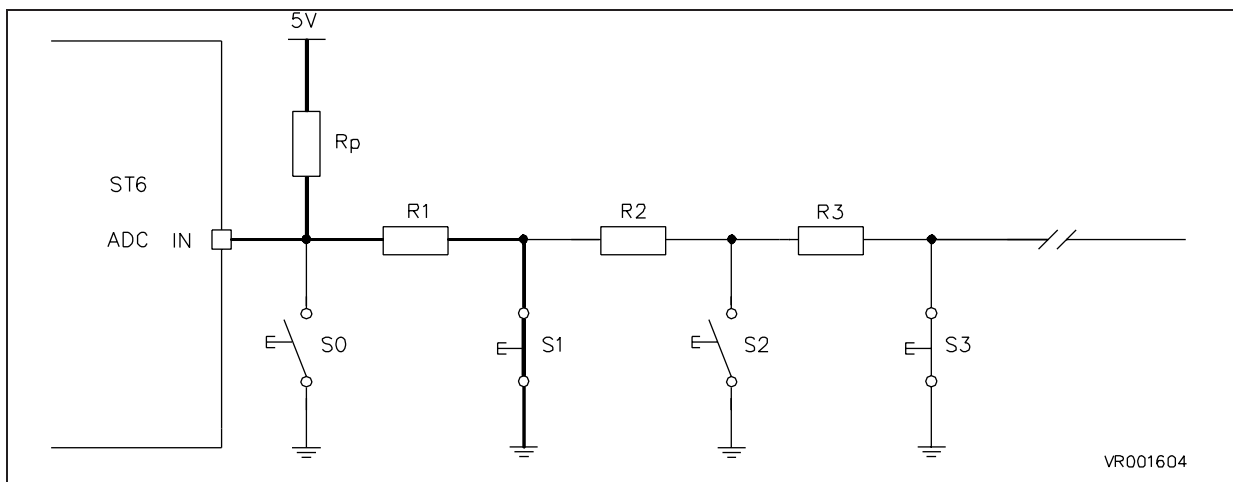
Figure 1. Analog keyboard resistor key matrix



When a key is pressed, the voltage at the ADC input is given by the activated voltage divider, generating a different voltage at the ADC input for each key pressed. If the top key is pressed, the voltage measured is always zero while the default voltage at the ADC input (if no key is pressed) is Vdd.

This analog voltage is converted by the ADC and the digital output value is used to determine which switch is closed. It can be seen that if more than one key is pressed at the same time, the key detected is the key in the chain closest to the ADC input. This allows the keys in the keyboard to be prioritised (Figure 2).

Figure 2. Multiple key press



Depending on the identified key, a direct signal activation can be achieved or a selective jump in the program flow can be performed.

## 2 PRACTICAL REALISATION

### 2.1 Keyboard hardware description

The serial resistors are selected in order to give an equal distribution of voltage between Vdd (No key pressed) and Vss (Last key pressed) for each switch combination, so as to give the best noise margin between keys. For n keys, the resistor values should be selected such that the voltage for the second key from top is  $V_{dd}/n$ , for the 3rd  $2V_{dd}/n$ , for the 4th  $3V_{dd}/n$  and for the nth  $(n-1)V_{dd}/n$ .

Practically the maximum number of keys is limited by the precision of the resistors that gives for each key pressed a voltage value within a window around the theoretical value.

In the case of a 10 keys system, the values (In Ohm) of the Table 1 for the resistors network have been chosen.

Taking into account a +/- 2% resistors, voltage values and conversion results of the Table 2 can be obtained. Vmin is obtained when the serial resistors are at their minimum value and the pull-up resistor Rp is at its maximum value. Vmax is obtained when the serial resistors are at their maximum value while the pull-up resistor Rp is at its minimum value.

**Table 1. Used resistors**

Rp	R1	R2	R3	R4	R5	R6	R7	R8	R9
10000.00	1100.00	1300.00	1800.00	2400.00	3300.00	5100.00	8200.00	16000.00	51000.00

**Table 2. Voltage at the ADC input and 8bit conversion result (5V supply)**

Active key	Vmin	Vmax	Conversion result
Key0	0.00	0.00	0-0
Key1	0.48	0.51	24-26
Key2	0.94	1.00	48-51
Key3	1.44	1.52	73-78
Key4	1.94	2.04	99-104
Key5	2.44	2.54	124-129
Key6	2.95	3.05	151-156
Key7	3.45	3.54	179-180
Key8	3.95	4.02	202-205
Key9	4.48	4.52	229-230

The condition *no key pressed* corresponds to a result of 255.

### 2.2 Software generation

Thanks to the use of the ST6-REALIZER development tool, the application software is automatically generated from a graphical description of the application.

The functional description of the application includes:

- 1) The analog input through an ADC to read the value issued by the voltage dividers.
- 2) Key recognition.
- 3) Transfer of the result to other functional blocks, or conditional jumps in a state machine.

## ANALOG MULTIPLE KEY DECODING USING THE ST6-REALIZER

The core is the recognition of the pressed key. This is achieved by comparing the digitised analog value with the range limits defined in the Table 2. However these ranges [0-0], [24-26],..., [229,230] are not contiguous, which implies two comparisons (Upper limit and lower limit) to check that a value is a portion to a range. It means more ROM and RAM used with an higher execution time. Thus some extended ranges with common limits have been defined as shown in the Table 3.

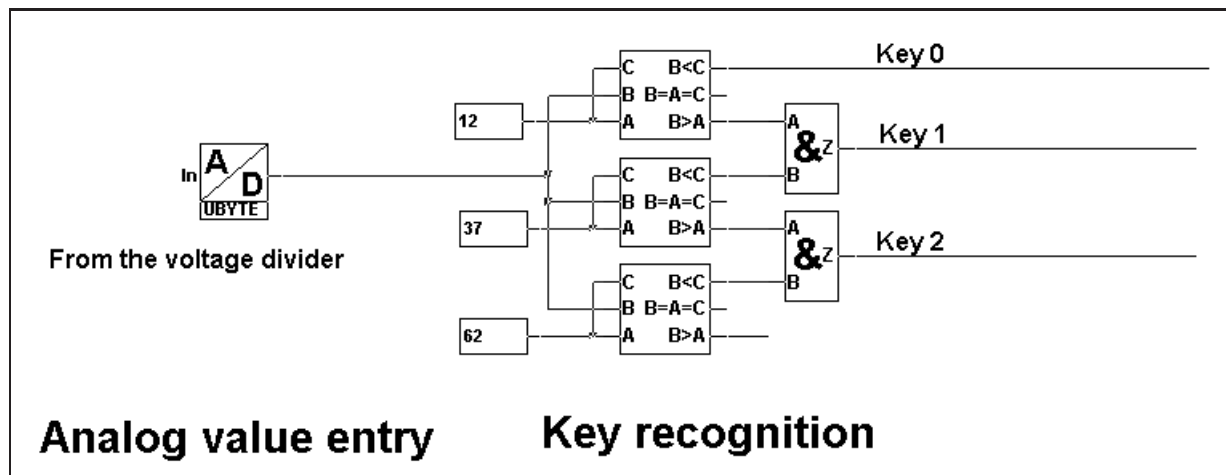
**Table 3. Recognition ranges**

Key pressed	Recognition ranges
Key0	0-12
Key1	12-37
Key2	37-62
Key3	62-88
Key4	88-114
Key5	114-140
Key6	140-165
Key7	165-190
Key8	190-217
Key9	217-244
None	244-255

A range limit value is never reached (See Table 2), therefore no ambiguous situation can occur.

The key pressed can then be recognised with numeric comparators and some logical gates as shown in the Figure 3. The output signals generated *Key 0*,..., *Key 9*, *None* are logical signals and can therefore be used both as input signals to other functions or as conditions in a state machine.

**Figure 3. Key recognition by analog value evaluation**



**2.3 Possible improvements**

It can be noticed that the inputs A and C of the comparators are interpreted as variables to which have been assigned fixed values, the range limits. Even though this does not have any importance for the application process itself, it must be taken into account in some cases. In fact, some RAM locations, normally dedicated to variable storage, are used to store these constant values. This reduces the RAM space available for the surrounding application (Data processing, I/O control,..).

This can be improved by creating a specific comparison symbol where the reference values are defined as constant. Thus the limit values are stored in the ROM and not in the RAM space.

While doing this, it is also possible to fine tune the symbol function for the application. In the present case, the new symbol has been defined as follows:

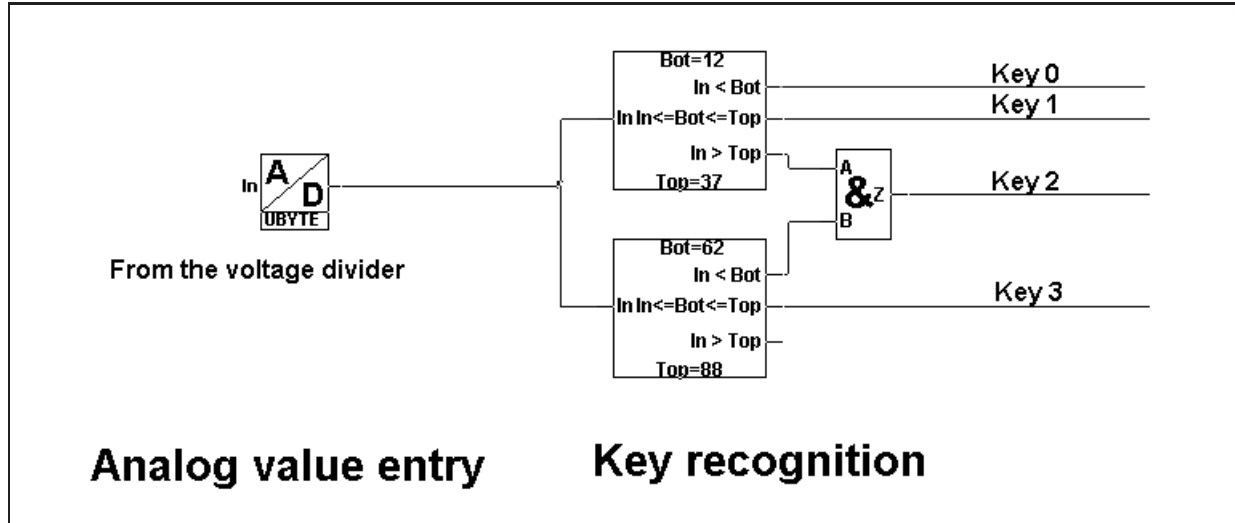
The variable input value is compared to 2 reference values *Bot*, *Top* attached to the symbol instance, providing 3 output:

- Input > Top
- Bot <= Input <= Top
- Input < Bot

Eventually, only 5 comparators are used and only one RAM location is used by the digitised representation of the voltage value instead of 11 in the previous case (Input value plus 10 border values).

The symbol customisation feature provided by the ST6-REALIZER environment thus permits then to have a more simple graphical description (Only 5 comparators) while optimizing the memory requirements (Figure 4).

**Figure 4. System optimization by using customised components**



## ANALOG MULTIPLE KEY DECODING USING THE ST6-REALIZER

---

NOTES:

Information furnished is believed to be accurate and reliable. However, SGS-THOMSON Microelectronics assumes no responsibility for the consequences of use of such information nor for any infringement of patents or other rights of third parties which may result from its use. No license is granted by implication or otherwise under any patent or patent rights of SGS-THOMSON Microelectronics. Specifications mentioned in this publication are subject to change without notice. This publication supersedes and replaces all information previously supplied. SGS-THOMSON Microelectronics products are not authorized for use as critical components in life support devices or systems without the express written approval of SGS-THOMSON Microelectronics.

®The Realizer is a registered trademark of Actum Solutions

©1995 SGS-THOMSON Microelectronics - All rights reserved.

Purchase of I<sup>2</sup>C Components by SGS-THOMSON Microelectronics conveys a license under the Philips I<sup>2</sup>C Patent. Rights to use these components in an I<sup>2</sup>C system is granted provided that the system conforms to the I<sup>2</sup>C Standard Specification as defined by Philips.

SGS-THOMSON Microelectronics Group of Companies

Australia - Brazil - China - France - Germany - Hong Kong - Italy - Japan - Korea - Malaysia - Malta - Morocco - The Netherlands - Singapore  
- Spain - Sweden - Switzerland - Taiwan - Thailand - United Kingdom - U.S.A.

This datasheet has been download from:

[www.datasheetcatalog.com](http://www.datasheetcatalog.com)

Datasheets for electronics components.