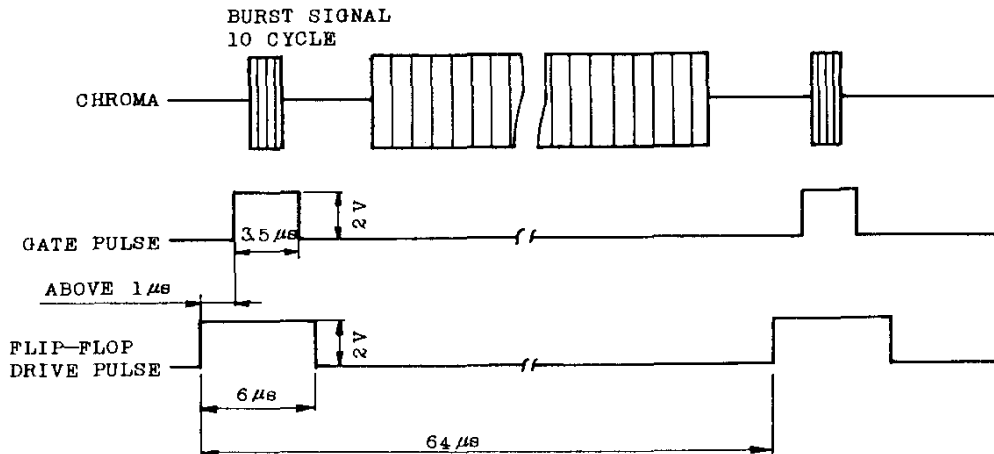
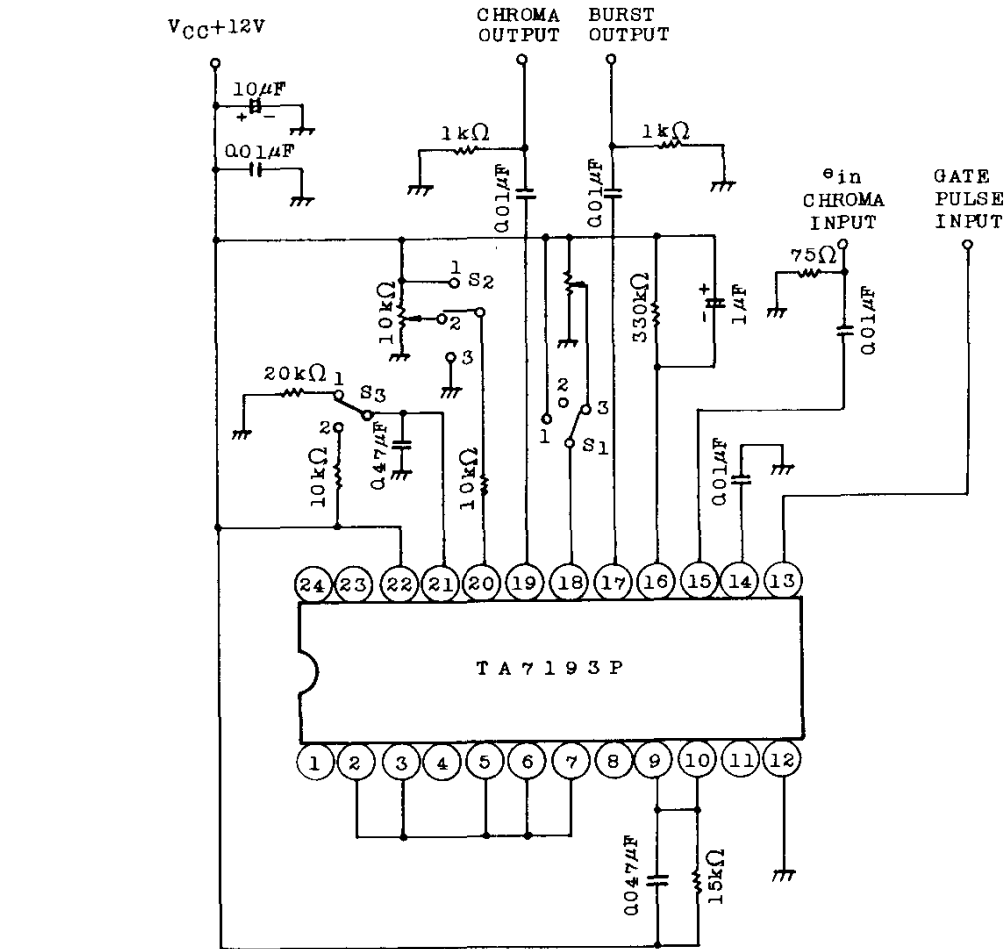


TEST CIRCUIT (1)



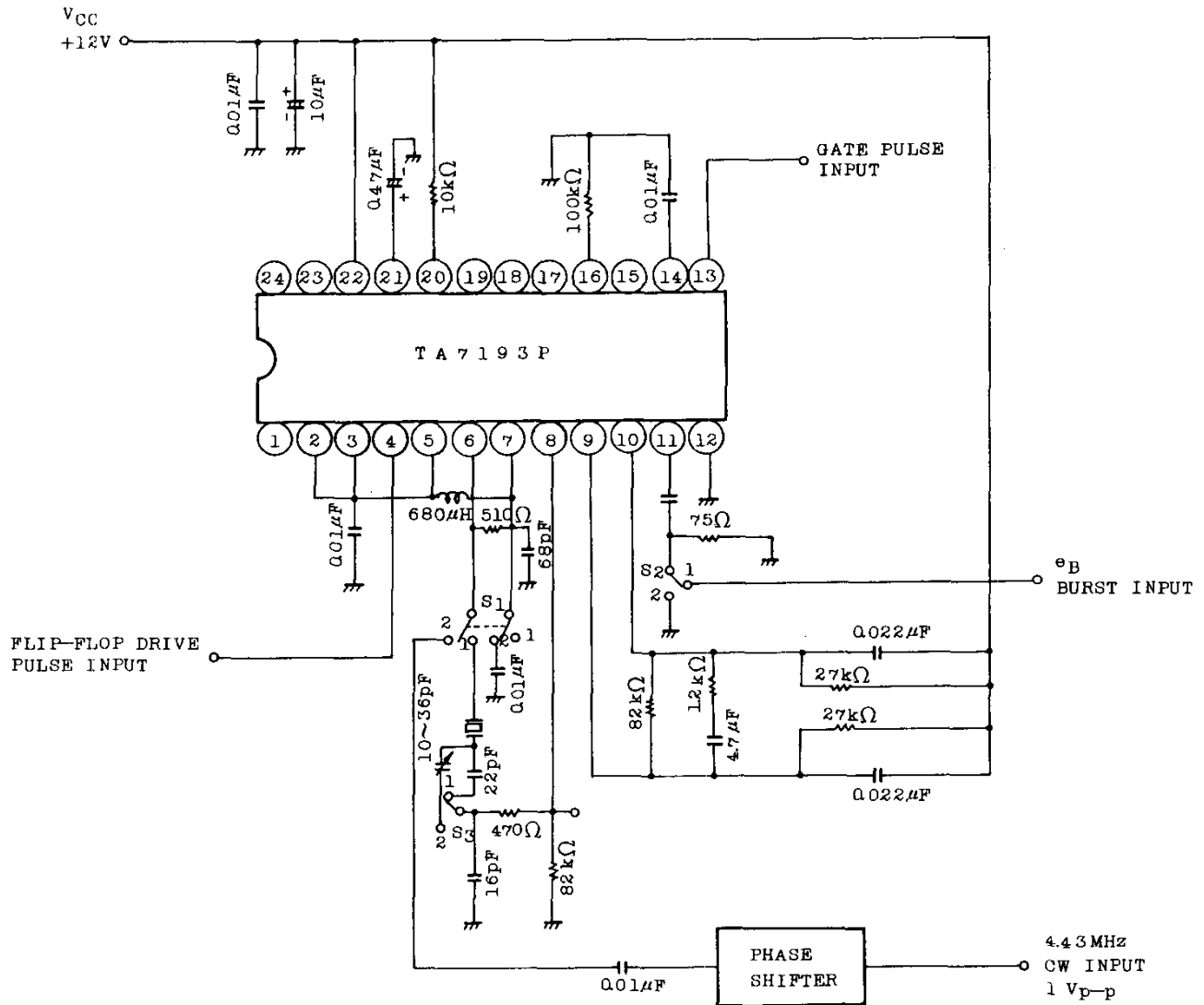


INTEGRATED CIRCUIT

TECHNICAL DATA

TA7193P

TEST CIRCUIT (2)



TEST CIRCUIT (3)

