



No.1835



LA7831

Monolithic Linear IC

COLOR TV VERTICAL DEFLECTION OUTPUT CIRCUIT

The LA7831 is a monolithic linear IC designed for large-aperture color TV vertical deflection output and has such features as greatly reduced number of external parts and low power dissipation. The LA7831 can be used in conjunction with the LA7620 series for video chroma deflection use and the LA7800 series for deflection use and the LA7850 series for display use to form a stable and compact vertical output deflection circuit.

Features

- . High output
- . On-chip pump-up circuit and low power dissipation
- . Minimum number of external parts required

Maximum Ratings at Ta=25°C

			unit
Maximum Supply Voltage	V_{8max}	30	V
	V_{5max}	60	V
Deflection Output Current	I_{4max}	±1.8	Ap-0
Allowable Power Dissipation	P_{dmax}	8	W
Operating Temperature	T_{opg}	-20 to +85	°C
Storage Temperature	T_{stg}	-40 to +150	°C

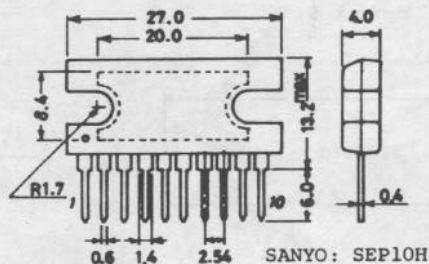
Operating Conditions at Ta=25°C

			unit
Recommended Supply Voltage	V_8	24	V
Operating Voltage Range		18 to 27	V
Deflection Output Current	I_{4p-p}	up to 1.8	Ap-p

Operating Characteristics at Ta=25°C

		min	typ	max	unit
Output Transistor Saturation Voltage	V_{OS1}		0.5	1.0	V
	V_{OS2}		1.8	2.6	V
Pin 7 Saturation Voltage	V_{7S1}			1.5	V
	V_{7S2}		0.8	1.6	V
Quiescent Current	I_{cco}	8.0	11.5	24.0	mA
Output Middle Point Voltage	V_N		11		V

Case Outline 3024A-S10HIC
(unit:mm)

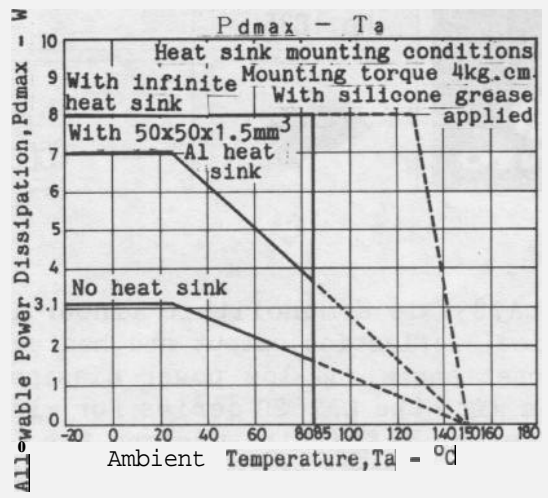
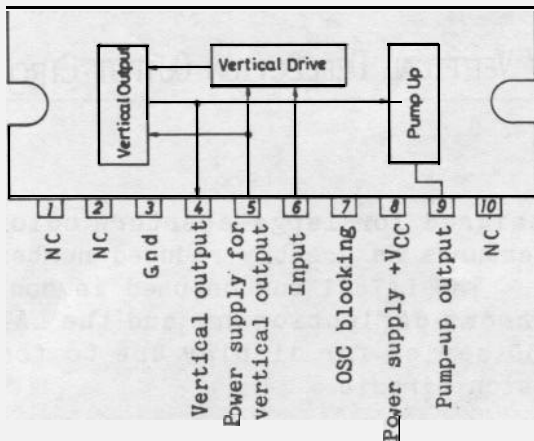


Information furnished by SANYO is believed to be accurate and reliable. However, no responsibility is assumed by SANYO for its use; nor for any infringements of patents or other rights of third parties which may result from its use, and no license is granted by implication or otherwise under any patent or patent rights of SANYO.

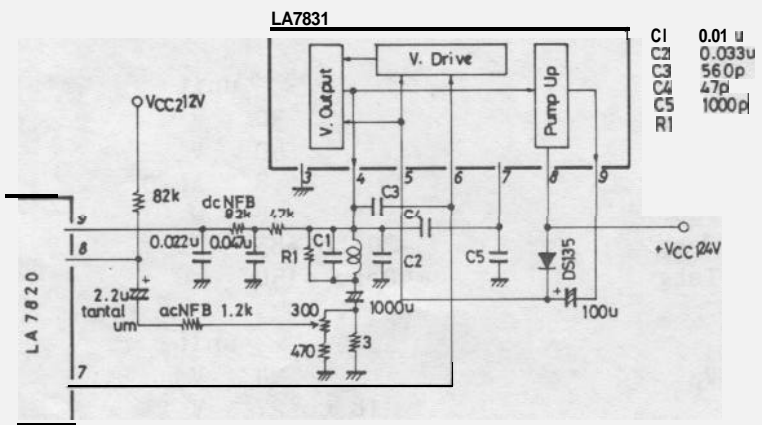
These specifications are subject to change without notice.

TOKYO SANYO ELECTRIC CO., LTD. SEMICONDUCTOR DIVISION
15-13, 6-CHOME, SOTOKANDA, CHIYODA-KU, TOKYO 101 JAPAN

Pin Assignment



Sample Application Circuit 1
Vertical output of LA7820



Sample Application Circuit 2
Vertical output of LA7620

Sample Application Circuit 3
Vertical output of LA7850

